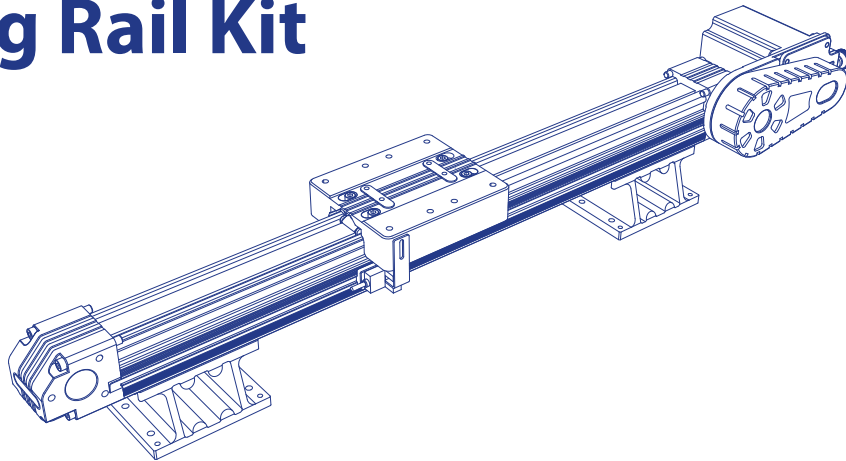
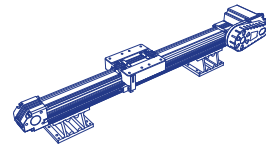


Sliding Rail Kit

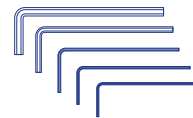


Shipping List

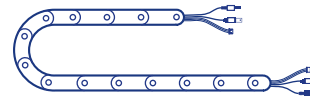
Sliding Rail



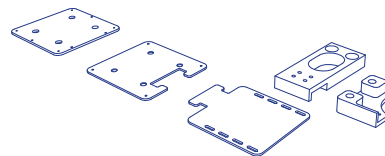
Tool Kit



Wire Set



Attachment



Assembly instructions



Specifications

Payload	5 kg
Effective Travel Distance	1000 mm
Maximum Speed	150 mm/s
Maximum Acceleration	150 mm/s ²
Repeat positioning accuracy	0.01 mm
Absolute positioning accuracy	0.25 mm
Dimension(Lenth × Width × Height)	132mm × 120mm × 55mm
Weight	4.7 kg